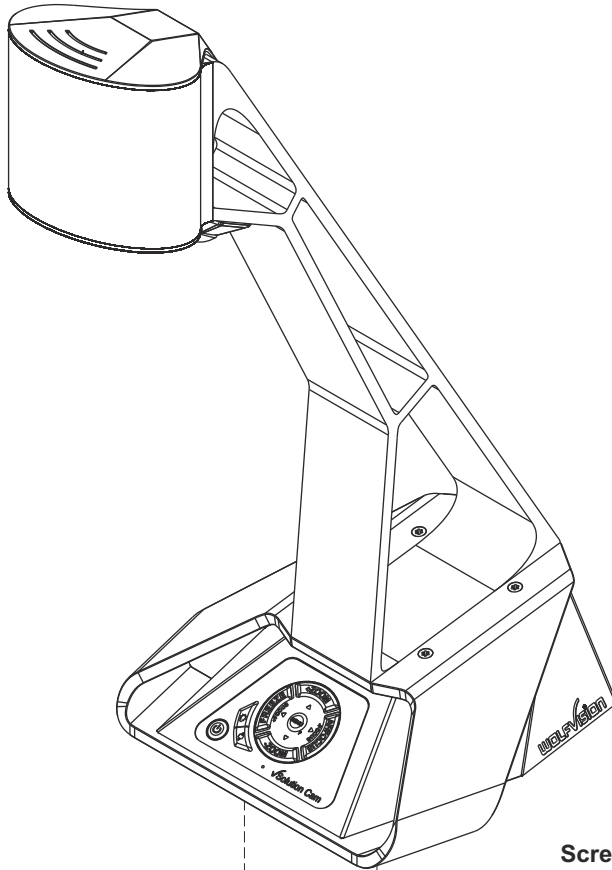


vSolution Cam - Riser Plate

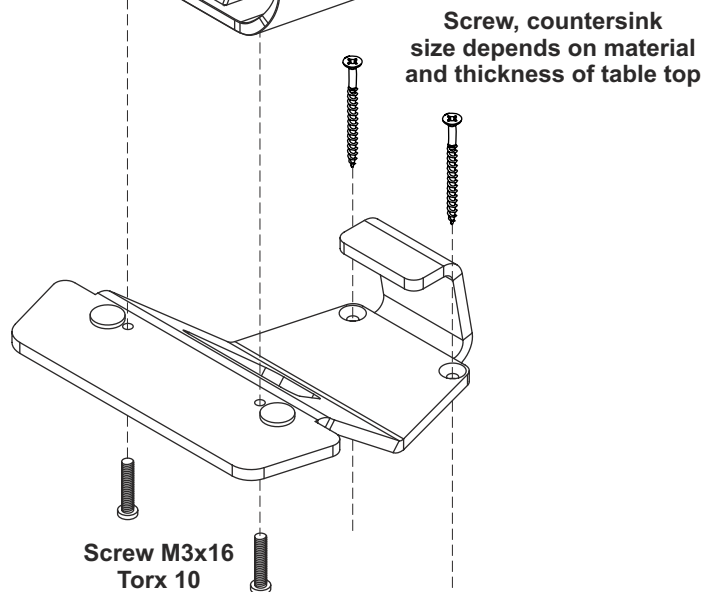
The optional Riser Plate for vSolution Cam increases the pick-up area by extending the distance between camera and working surface level. The increased height enables the presentation of the lower portion of A4 sized pages in portrait orientation when moving the document below the riser.

Steps:

1. Mount the Riser onto the underneath of the Visualizer by using the supplied screws M3x16 (Torx 10).
2. Place the Visualizer including the mounted Riser onto the table top at the desired position and mark the holes to fix the system.
3. Select screws appropriate for the material and thickness of the table top. Drill two holes through the table top at the marked position, suitable for the selected screws. Note dimensions of countersink - see sectional view.
4. Mount the Visualizer system



Part no.	Description	Qty.
113792	Riser, coated	1
100260	Screw M3x16 (Torx 10)	2
-	Screw, countersink size depending on table top	2



Countersink
see sectional view

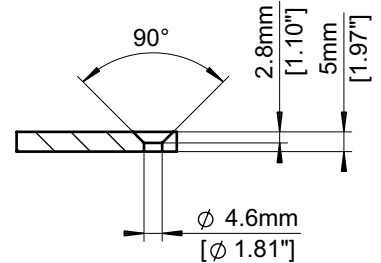


Table Top