



Code C52003
V.I.P. 300 DIA (200-240V)
Version without Power Factor Correction
Consumption: 800VA at 230V 50Hz



7.3 Kg - 16 lbs 1 oz

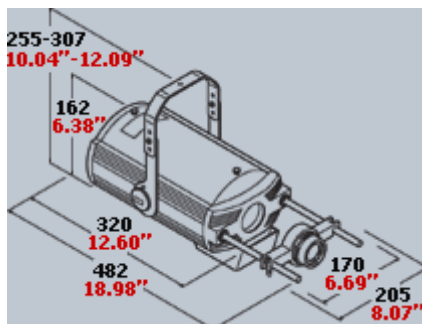
1.0 m HTI 300 W/DX
HTI 300 W/DEL

Code C52004
V.I.P. 300 DIA (100-120V)
Version without Power Factor Correction
Consumption: 800 VA at 230 V 50 Hz



10.2 Kg - 22 lbs 8 ozs

1.0 m HTI 300 W/DX
HTI 300 W/DEL



Code C52025
V.I.P. 300 DIA PFC (200-240V)
Version with Power Factor Correction
Consumption: 450 VA at 230 V 50 Hz (power factor correction of 35µF)



V.I.P. 300 DIA



V.I.P. V.I.P. 300 DIA is a modular system with a 300W lamp for fixed and moving projections. It is designed to project slides and other effects using special accessories.

Power supplies available:

- 230V 50Hz
- 240V 50Hz
- 208V 60Hz
- 120V 60Hz
- 100V 50Hz
- 100V 60Hz

Metal iodide lamp: HTI 300 W/DX or HTI 300 W/DEL.
Die-cast aluminium optical unit consisting of a condensing unit with two lenses and a round mirror.
Electrified effects rails (24 VAC); PTC short-circuiting protection on effects rails; forced cooling with axial fan (projector body) and a radial (slide-holder accessory) fan ; thermal cut-out; microswitch to cut off power supply when cover is opened.
Epoxy painted die-cast and extruded aluminium body. Epoxy painted steel bracket, three installation positions with 25 mm pitch.
120° adjustable bracket.
Functions in any position, depending on lamp specifications.
In conformity with the European Union Low Voltage Directive 73/23 and Electromagnetic Compatibility Directive 89/336.

LENSES	
 Code 173040/801 Single element lens 1:2.4/100 mm	 Code C52106 Multi-element lens 1:2.8/85 mm
 Code C52102 Single element lens 1:4/165 mm	 Code C52107 Multi-element lens 1:2.8/120 mm
 Code C52109 Single element lens 1:4.4/200 mm	 Code C52108 Multi-element lens 1:3.5/150 mm
 Code C52105 Multi-element lens 1:2.8/45 mm	 Code C52110 Zoom lens 1:3.5/70-120 mm
 Code C52104 Multi-element lens 1:2.8/60 mm	

LAMPS	
	HTI 300 W / DX not included Code L10043 Lamp Capacity: 300 W Average life: 750 h Colour temperature: 6,500 K Luminous flux: 22,000 lm Connection: SFC 10-4 Recommended working position: Any
	HTI 300 W / DEL not included Code L10051 Lamp Capacity: 300 W Average life: 3,000 h Colour temperature: 5,700 K Luminous flux: 20,000 lm Connection: SFC 10-4 Recommended working position: +- 45° on the HP

